

C-Worker 8

Work Class ASV

C-Worker 8 is a multi-role work class ASV. The vehicle is suitable for a variety of offshore and coastal tasks including subsea positioning, surveying and environmental monitoring without the need of a ship on station or sea-bed anchoring. C-Worker 8 can integrate a variety of payloads including multibeam, USBL, CTD and ADCP via exchangeable payload frames. The vehicle's redundant power system makes it an ideal solution for shore based operations while also suitable as a force multiplier to existing operations. C-Worker 8 is designed for up to 7 days endurance and operates using ASV Global's proven ASView control system.

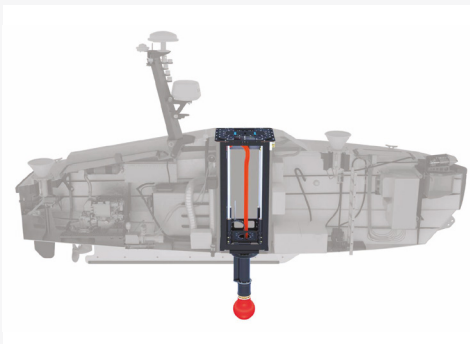
KEY FEATURES



'SeaWorker' variety designed and built for Ocean Infinity

- Unique hull design provides excellent sea keeping
- Highly survivable, repairable and rugged aluminum hull
- Wrap around durable fender
- Payload frame for easy integration of standard or custom payloads
- Fully redundant propulsion and communication systems
- Suitable for launch from a mothership or shore
- Up to 7 days endurance
- Max speed 10 knots

APPLICATIONS



- Marine construction survey: USBL, MBES
- Metocean data collection: ADCP, weather station, CTD
- Environmental: Passive Acoustic Monitoring (PAM), Hydrocarbon detection, skimmers, dispersants
- Seismic support: CTD, USBL, PAM, ADCP
- Site survey: Multibeam sonar, SBP, CTD
- Hydrographic survey: Multibeam sonar, sidescan sonar
- Security and surveillance: cameras, video, infrared sensors

We are passionate about developing autonomous maritime vessels. Since 2008 we have pioneered the development of unmanned technology. We have designed and built more than 90 vessels which are now deployed all over the world in the service of the oil & gas, scientific and defence sectors. We are the industry's most experienced, tested and successful developer. We employ a world class team to deliver a safe, efficient, and reliable solution.

C-Worker 8

TECHNICAL SPECIFICATIONS

| C-Worker 8 | |
|----------------|--|
| Length | 7.7m |
| Beam | 2.14m |
| Height | 4.24m (Mast up) |
| Draft | 0.99m |
| Weight | 4800kg fully laden, 3700kg lightship |
| Propulsion | Two 45Hp Diesel engines driving fixed pitch propellers |
| Speed | 10 knots |
| Endurance | 7 days at 4 knots, 3 days at 8 knots. |
| Payload power | 3kW |
| Control | ASView for direct, semi-autonomous or autonomous control |
| Communications | Radio/satellite |



Unit 12 Murrills Estate
Southampton Road
Portchester
PO16 9RD
UK
+44 (0)2392 382 573
sales@asvglobal.com

Rua Equador, 43, bloco 3
Sala 422 – Santo Cristo, Rio de Janeiro-RJ
CEP 20220-410
Brazil
+55 21 3956-1450
sales@asvglobal.com

11111 Katy Freeway,
Suite 910
Houston
TX 77079
USA
+1 713 357 6622
sales@asvglobal.com

209 Cummings Road
Broussard
LA 70518-3229
USA
+1 337 422 4411
sales@asvglobal.com

© ASV 2018. All rights reserved.

This publication is for outline information only and may not be used, applied or reproduced for any purpose. The company reserves the right to alter without notice the specification design, or conditions of supply of any product or service.

